
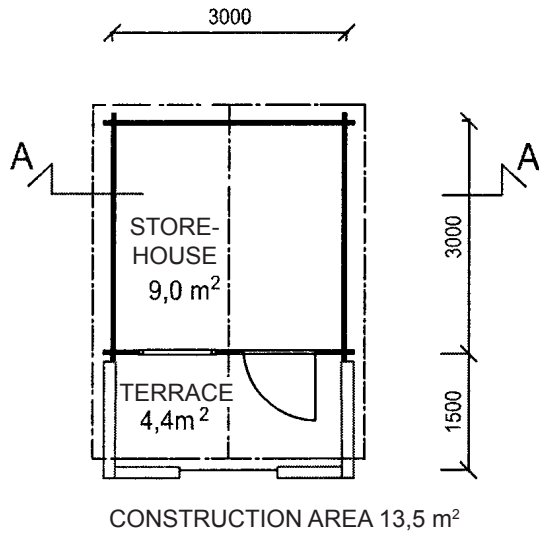
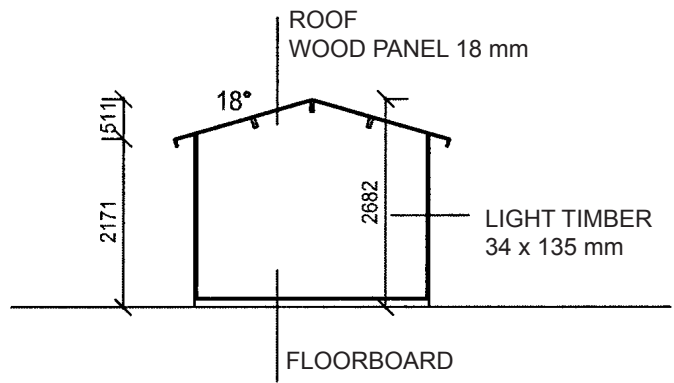


village/part of municipality	name of farm/town block	reg. no of farm/plot	type of construction NEW CONSTRUCTION	sequential no
applicant and address	address of building site		contents MAIN DRAWING LILLEVILLA 20 GROUND PLAN, FACADES AND CROSS SECTION	scale 1:100
planner	LUOMAN PUUTUOTE Oy		drawing number	ARK
signature			date	

GROUND PLAN



CROSS SECTION A-A



FACADES

